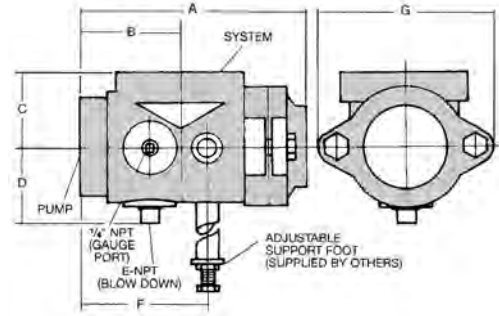


Bell & Gossett Pump Suction Diffusers

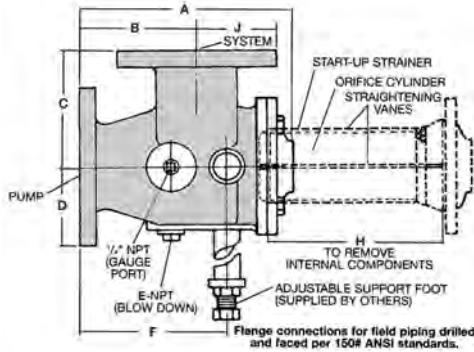
Suction Diffusers

are an angle-pattern, flow-straightening fitting that combines a diffuser-strainer, orifice cylinder and full length straightening vanes to provide ideal flow conditions for the pump suction. Sizes from 1-1/2" to 10" in NPT, flanged and grooved connections.

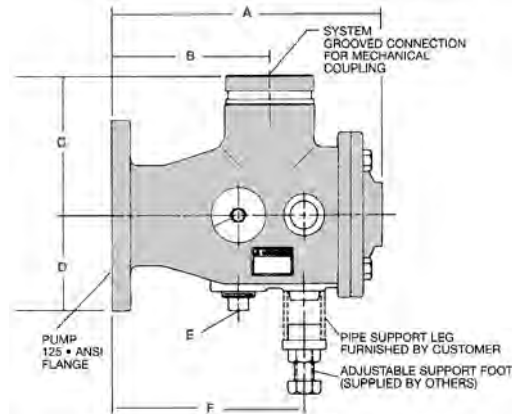
- Maximum pressure is 175 psig.
- Cast iron body, steel straightening vanes and orifice cylinder are standard.
- SS straightening vanes and orifice cylinder are optional.
- A bronze start-up strainer is standard.
- All internal components are replaceable.



NPT Pipe Size Model



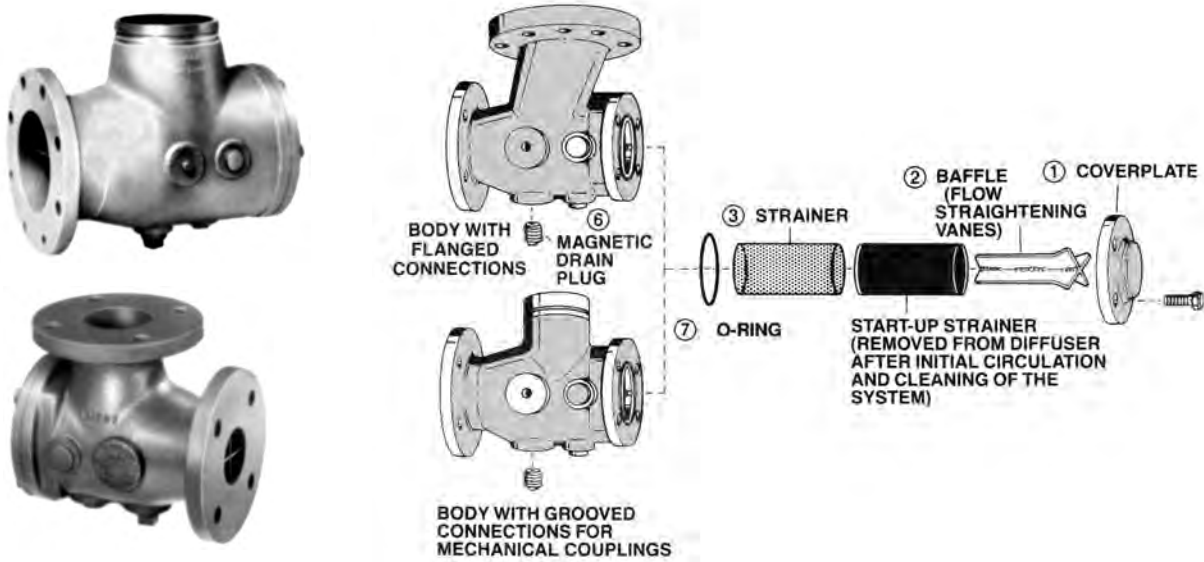
Flanged Model



Grooved to Flange Model

Model No.	System Side	Pump Side	Dimensions (inches) for NPT & Flanged Cast Iron Models									Ship Wt. lbs.	Order No.	
			A	B	C	D	E	F	G	H	J			
BA-3	2" pipe	1½" pipe	6-13/16	3	2-1/4	2-3/8	3/4	3-13/16	5-1/4	8	NA	13	BI 2200	
BB-3	2" pipe	2" pipe	8-3/8	3-7/8	2-3/4	2-3/4	3/4	3-7/8	5-3/4	9	NA	14	BI 2201	
CB-3	2½" flange	2" pipe	8-3/8	3-7/8	2-3/4	2-3/4	3/4	3-7/8	5-3/4	9	NA	16	BI 2202	
CC-3	2½" flange	2½" flange	9	4-3/4	4-3/4	3-1/2	3/4	5-5/8	NA	11	3-1/2	36	BI 2203	
DA-3	3" pipe	1½" pipe	8-3/8	3-7/8	2-3/4	2-3/4	3/4	3-7/8	5-3/4	9	NA	17	BI 2204	
DB-3	3" pipe	2" pipe	8-3/8	3-7/8	2-3/4	2-3/4	3/4	3-7/8	5-3/4	9	NA	17	BI 2205	
DC-3	3" flange	2½" flange	9	5	5	3-1/2	3/4	5-5/8	NA	11	3-3/4	44	BI 2206	
DD-3	3" flange	3" flange	10	5-1/2	5-1/2	3-3/4	1	6-7/8		12	3-3/4	48	BI 2207	
EC-3	4" flange	2½" flange	9	6-1/2	6-2	3-1/2	3/4	5-5/8		11	4-1/2	42	BI 2208	
ED-3	4" flange	3" flange	10	6-1/2	6-1/2	3-3/4	1	6-7/8		13	4-1/2	55	BI 2209	
EE-3	4" flange	4" flange	12-5/8	6-1/2	6-1/2	4-1/2	1	7-5/8		14	4-1/2	72	BI 2210	
FE-3	5" flange	4" flange	12-5/8	7-1/2	7-1/2	4-1/2	1	7-5/8		15	5	84	BI 2211	
FF-3	5" flange	5" flange	14-1/4	7-1/2	7-1/2	5	1-1/4	9		15	5	100	BI 2212	
GE-3	6" flange	4" flange	12-5/8	8	8	4-1/2	1	7-5/8		15	5-1/2	90	BI 2213	
GF-3	6" flange	5" flange	14-1/4	8	8	5	1-1/4	9		15	5-1/2	105	BI 2214	
GG-3	6" flange	6" flange	16-3/8	8	8	5-1/2	1-1/4	10-1/8		17	5-1/2	134	BI 2215	
HG-3	8" flange	6" flange	16-3/8	9	9	5-1/2	1-1/4	10-1/8		18	6-3/4	150	BI 2216	
HH-3	8" flange	8" flange	20-1/2	9	9	6-3/4	1-1/4	11	21	6-3/4	250	BI 2217		
Dimensions (inches) for Ductile Iron Models with Grooved System & Flanged Pump Connections													NA	Order No.
SDG-2½	2½" groove	2½" groove	9-13/16	5-9/16	4-3/4	3-1/2	3/4	6-7/16	11	1-7/16	26	BI 2220		
SDG-3	3" groove	3" groove	10-13/16	6-5/16	5-1/2	3-3/4	1	7-11/16	12	1-3/4	37.5	BI 2221		
SDG-4	4" groove	4" groove	13-1/2	7-3/8	6-1/2	4-1/2	1	8-1/2	14	2-1/4	65	BI 2222		
SDG-5	5" groove	5" groove	15-1/8	8-3/8	7-1/2	5	1-1/4	9-7/8	15	2-13/16	90	BI 2223		
SDG-6	6" groove	6" groove	17-3/8	9	8	5-1/2	1-1/4	11-1/8	17	3-5/16	127	BI 2224		
SDG-8	8" groove	8" groove	21-3/4	10-1/4	9	6-3/4	1-1/4	12-1/4	21	4-5/16	218	BI 2225		
SDG-10	10" groove	10" groove	26-5/8	12-3/8	11	8	1-1/4	14-7/8	25	5-3/8	338	BI 2226		

Repair Parts for Pump Suction Diffusers



Suction Diffuser Model No.	Item 2 Baffle		Item 3 Strainer		O-Ring Item 7	Cover Plate Item 1	Drain Plug Item 6
	Standard Steel	Stainless Steel	Standard Steel	Stainless Steel			
SDG 2½	—	BG1511K	—	BG1513W	BG2791	BG1510W	PM1900
SDG 3	—	BG1511L	—	BG1513P	BG2780	BG1510X	PM1905
SDG 4	—	BG1511M	—	BG1513R	BG2781	BG1510Y	PM1905
SDG 5	—	BG1511N	—	BG1513S	BG2792	BG1510Z	PM1910
SDG 6	—	BG1511P	—	BG1513T	BG2793	BG1511G	PM1910
SDG 8	—	BG1511R	—	BG1513U	BG2794	BG1511H	PM1910
SDG 10	—	BG1511S	—	BG1513V	BG2795	BG1511J	PM1910
BA-3	BG1514	BG1514J	BG1513C	BG1513M	BG2790	BG1511U	PM1900
BB-3	BG1514A	BG1514K	BG1513D	BG1513N	BG2791	BG1511V	PM1900
CB-3	BG1514A	BG1514K	BG1513D	BG1513N	BG2791	BG1511V	PM1900
CC-3	BG1514B	BG1511K	BG1513L	BG1513W	BG2791	BG1511V	PM1900
DA-3	BG1514A	BG1514K	BG1513D	BG1513N	BG2791	BG1511V	PM1900
DB-3	BG1514A	BG1514K	BG1513D	BG1513N	BG2791	BG1511V	PM1900
*DC-3	BG1514B	BG1511K	BG1513L	BG1513W	BG2791	BG1511V	PM1900
DD-3	BG1514C	BG1511L	BG1513E	BG1513P	BG2780	BG1511W	PM1905
ED-3	BG1514C	BG1511L	BG1513E	BG1513P	BG2780	BG1511W	PM1905
EE-3	BG1514D	BG1511M	BG1513F	BG1513R	BG2781	BG1511X	PM1905
FE-3	BG1514D	BG1511M	BG1513F	BG1513R	BG2781	BG1511X	PM1905
FF-3	BG1514E	BG1511N	BG1513G	BG1513S	BG2792	BG1511Y	PM1910
GE-3	BG1514D	BG1511M	BG1513F	BG1513R	BG2781	BG1511X	PM1905
GF-3	BG1514E	BG1511N	BG1513G	BG1513S	BG2792	BG1511Y	PM1910
GG-3	BG1514F	BG1511P	BG1513H	BG1513T	BG2793	BG1511Z	PM1910
HG-3	BG1514F	BG1511P	BG1513H	BG1513T	BG2793	BG1511Z	PM1910
HH-3	BG1514G	BG1511R	BG1513J	BG1513U	BG2794	BG1513A	PM1910
JH-3	BG1514G	BG1511R	BG1513J	BG1513U	BG2794	BG1513A	PM1910
JJ-3	BG1514H	BG1511S	BG1513K	BG1513V	BG2795	BG1513B	PM1910

* Manufactured after January, 1983 — No. 115039